



SABIANA
IL CLIMA AMICO



A leading brand of **AFG**



Atlas STP Door Curtain Unit

The **Atlas STP** door curtain units, supplied with hot water, are fitted with special diffusers that create a curtain of hot air. Installed above the door, they deliver a constant vertical flow of air, representing a barrier that, by thermodynamic effect, stops the infiltration of air from the outside, and mixes the residual cold currents. Available in three sizes, with two speed and 1, 2, 3 row coils.



Technical characteristics of the main components:

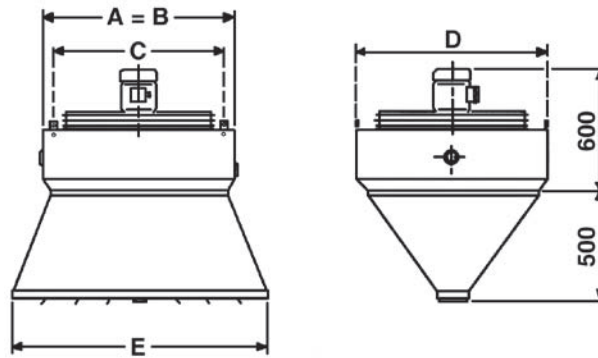
- The main casing is manufactured from galvanized prepainted steel finished in light grey colour (RAL 9002), and is assembled from three component parts, which are assembled using self-tapping screws in order to allow quick maintenance on the coil.
- Fishtail diffuser produced from steel sheet with manually adjustable louvres for individual requirements.
- Coil manufactured from high quality steel or copper tube 22 mm of diameter to reduce resistance with mechanically bonded aluminium fins for high efficient heat transfer. Available in 1, 2 or 3 rows.
- Consists of aluminium helicoidal blades statically and dynamically balanced with a cast alloy hub, keyed into the motor shaft and mounted onto the casing with antivibration rubber mounting blocks. The motor is supplied as standard for a three phase, 400V 50Hz, class B, IP55, 6/8 poles two speed: 900 r.p.m. (6 poles) or 700 r.p.m. (8 poles).

Identification code

Reference: 68A71 SX / STP

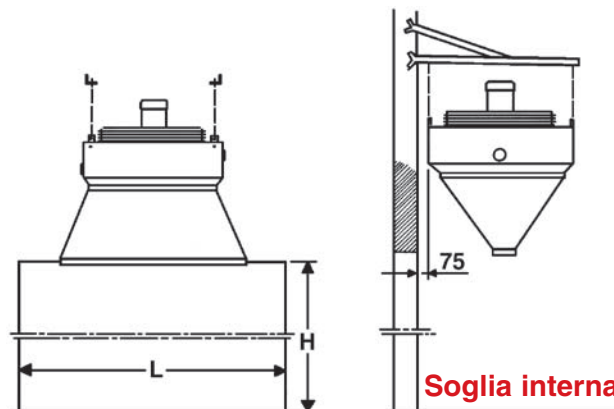
68	A	7	1	SX	/ STP
MOTOR 6/8 POLE	RANGE ATLAS	SIZE 7	ROWS 1	COIL STEEL TUBE	TYPE STP
				SP	
				COIL COPPER TUBE	

Dimensions, Weight, Water content



SIZE	DIMENSIONS				ROWS	WEIGHT	WATER CONTENT
	A=B	C	D	E			
	mm						
7	793	696	793	1000	1	62	4.3
					2	70	8.2
					3	76	12.3
8	900	803	900	1200	1	75	5.8
					2	86	11.1
					3	93	16.6
9	1010	913	1010	1400	1	90	7.6
					2	104	14.5
					3	113	21.8

Correct selection of the door curtain



SIZE	MOTOR POLE	DOOR HEIGHT H (m)	DOOR WIDTH L (m)
7	6	3.0 ÷ 4.0	1.5
8	6	3.5 ÷ 4.5	2.0
9	6	4.5 ÷ 5.5	2.5
7	8	2.5 ÷ 3.0	1.5
8	8	3.0 ÷ 3.5	1.8
9	8	3.5 ÷ 4.5	2.0

Atlas STP TECHNICAL SPECIFICATIONS

ENTERING AIR TEMPERATURE 15°C

SIZE	MODEL REF.	MOTOR SPEED	LEAVING AIR VOLUME	EMISSION					
				WATER TEMPERATURE 85-70°C		WATER TEMPERATURE 140-100°C		STEAM 0,5 bars	
				kW	LEAVING AIR TEMP. °C	kW	LEAVING AIR TEMP. °C	kW	LEAVING AIR TEMP. °C
	r.p.m.	m³/h							
7	68A71/STP	900 / 700	5.000 / 3.700	-	-	41,3 / 35,1	41 / 46	39,3 / 33,4	40 / 42
	68A72/STP	900 / 700	4.600 / 3.500	38,4 / 32,5	43 / 44	60,5 / 50,7	56 / 61	-	-
	68A73/STP	900 / 700	4.400 / 3.200	46,5 / 38,4	52 / 53	-	-	-	-
8	68A81/STP	900 / 700	7.300 / 5.100	-	-	57,9 / 49,8	40 / 46	55 / 47,3	40 / 42
	68A82/STP	900 / 700	6.500 / 4.700	52,5 / 43,6	41 / 44	82,6 / 68,6	55 / 61	-	-
	68A83/STP	900 / 700	6.000 / 4.200	60,7 / 50,0	48 / 53	-	-	-	-
9	68A91/STP	900 / 700	9.000 / 6.800	-	-	75,6 / 64,3	41 / 46	71,8 / 61	41 / 43
	68A92/STP	900 / 700	8.500 / 6.400	70,7 / 58,7	42 / 44	111,3 / 92,3	56 / 61	-	-
	68A93/STP	900 / 700	8.100 / 6.000	85,7 / 70,4	50 / 53	-	-	-	-

The descriptions and illustrations provided in this publication are not binding: Sabiana reserves the right, whilst maintaining the essential characteristics of the types described and illustrated, to make, at any time, without the requirement to promptly update this piece of literature, any changes that it considers useful for the purpose of improvement or for any other manufacturing or commercial requirements.



SABIANA
IL CLIMA AMICO

A leading brand of  **AFG**

Sabiana s.p.a. • via Piaue, 53 • 20011 Corbetta • Milano • Italy

phone +39.02.97203.1 r.a. / +39.02.97270429 / +39.02.97270576

fax +39.02.9777282 / +39.02.9772820

www.sabiana.it • info@sabiana.it